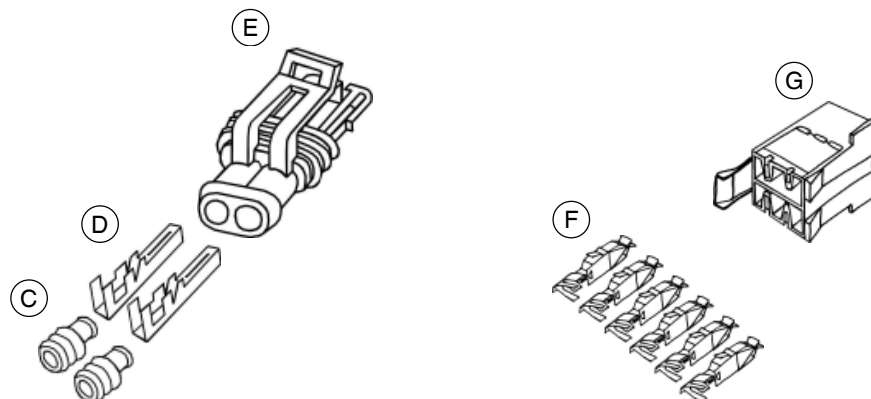
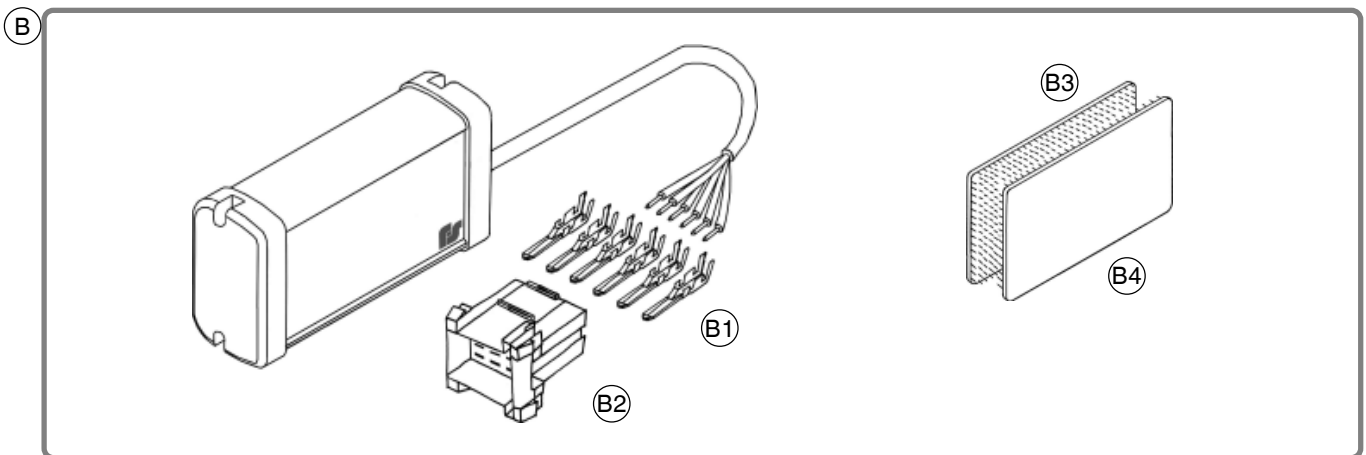
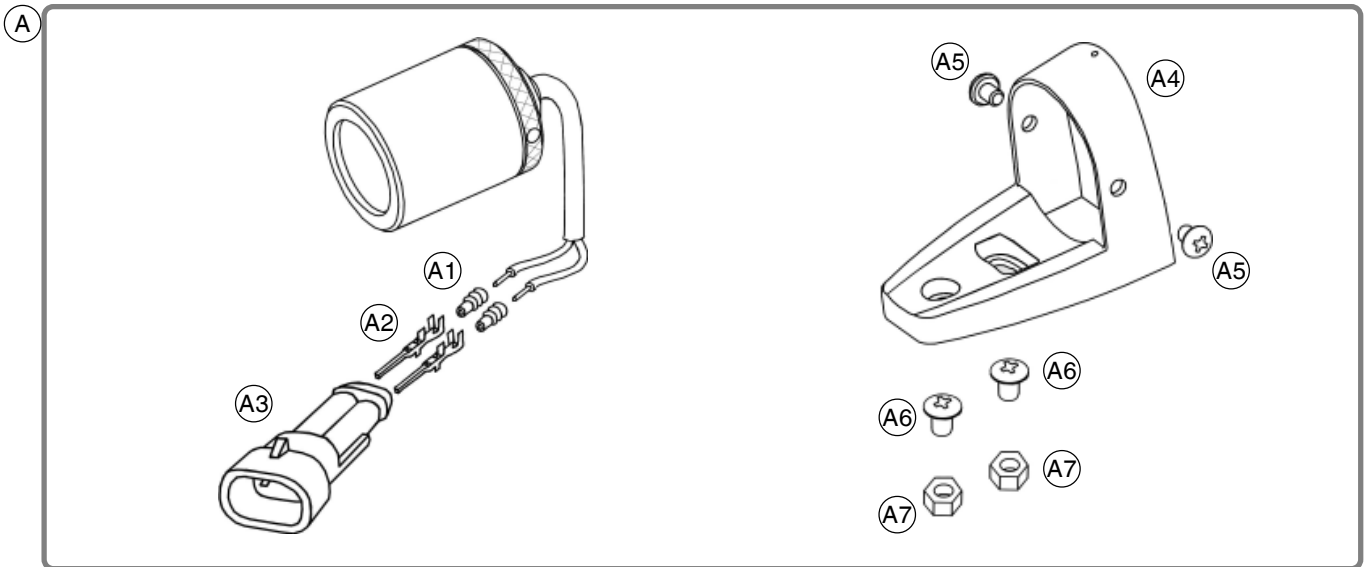


# CLD-C Sputnik

CONJUNTO LED DIRECCIONAL ALTA INTENSIDAD  
HIGH INTENSITY DIRECTIONAL LED SET



Item N.	Descripción / Description	Ref.	Cant. / Qty.
A	Foco de LEDs Sputnik azul con base adaptación, 12V <i>Blue Sputnik LED light with adaptation base, 12V</i>	2010285	1
	Foco de LEDs Sputnik ámbar con base adaptación, 12V <i>Amber Sputnik LED light with adaptation base, 12V</i>	2010289	1
	Foco de LEDs Sputnik rojo con base adaptación 12V <i>Red Sputnik LED light with adaptation base, 12V</i>	2010275	1
A1	Junta de goma AMP 281934-3 roja <i>Red AMP 281934-3 rubber joint</i>	9018624	2
A2	Terminal lengüeta AMP M 282109-1 <i>AMP M 282109-1 tab terminal</i>	9018629	2
A3	Caja Multilok 2V 282104-1 AMP H <i>AMP H 282104-1 2V Multilok box</i>	9018628	1
A4	Base adaptación foco de LEDs Sputnik <i>Sputnik LED light adaptation base</i>	9151506	1
A5	Tornillo M04x6 DIN7985 alomado Philips negro <i>Black Philips DIN7985 M04x6 screw</i>	9027945	2
A6	Tornillo M04x8 DIN7985 alomado Philips <i>Philips DIN7985 M04x8 screw</i>	9027289	2
A7	Tuerca M04 DIN985 autoblocante inoxidable <i>Stainless DIN985 M04 nut</i>	9027670	2
B	Caja control para foco de LEDs Sputnik azul, 12V <i>12V, Control Box for blue Sputnik LED light</i>	8216121	1
	Caja control para foco de LEDs Sputnik ámbar/rojo, 12V <i>12V, Control Box for amber/red Sputnik LED light</i>	8216124	1
B1	Terminal lengüeta Timer AMP 928781-2 <i>AMP 928781-2 Timer tab terminal</i>	9018656	6
B2	Conector portalengüetas Timer 6V AMP 929505-2 <i>AMP 929505-2 6V Timer tab-carrier connector</i>	9018660	1
B3	Velcro gancho 40x70 con adhesivo <i>40x70 Hook velcro with adhesive</i>	8140023	1
B4	Velcro astracán 40x70 con adhesivo <i>40x70 Astrakhan velcro with adhesive</i>	8140025	1
C	Junta de goma AMP 281934-3 roja <i>Red AMP 281934-3 rubber joint</i>	9018624	2
D	Terminal receptor Multilok AMP 282110-1 <i>AMP 282110-1 Multilok receiver terminal</i>	9018623	2
E	Caja Multilok 2V AMP M 282080-1 <i>AMP M 282080-1 2V Multilok box</i>	9018622	1
F	Terminal receptor Timer AMP 927768-01 <i>AMP 927768-01 Timer receiver terminal</i>	9018655	6
G	Conector receptor Timer 6V AMP 929504-2 <i>AMP 929504-2 6V Timer receiver connector</i>	9018659	1



Empresa certificada ISO / ISO certified Company

**FEDERAL SIGNAL VAMA, S.A**

 Dr. Ferrán, 7 (08339) VILASSAR DE DALT,  
 BARCELONA, SPAIN  
 Tel. (00) 93 741 79 49 (Spain)  
 Tel. (34) 93 741 79 41 (Int.)  
 Fax (34) 93 753 03 62  
 email: service@vama.es

 Web : [www.fedsig.vama.es](http://www.fedsig.vama.es)
**Delegación - Madrid**

 Avda. Baviera, 13  
 (28028) MADRID  
 Tel. (34) 91 355 22 00  
 Fax (34) 91 355 35 61  
 email: servicemad@vama.es